

# Antenna, Cone

ERF4074

## Description

The ERF4074 antenna is a black 868 MHz antenna with an SMA Male connector.

## Technology

- 868 MHz
- LoRa
- Zigbee
- WiFi
- NB-IoT
- ISM
- 5G/4G/3G/2G
- Bluetooth



## Features

### Electrical Properties

### Description

Frequency marker	Frequency band MHz	Return loss dB	V.S.W.R.	Gain
1	700	-6.4	< 2.8	-4,47
2	800	-13.5	< 1.5	-0,77
3	868	-32.3	< 1.0	-0,38
4	900	-19.9	< 1.2	-0,69
5	1.800	-7.3	< 2.5	0,63
6	1.900	-7.2	< 2.5	0,93
7	2.100	-8.2	< 2.3	1,24
8	2.400	-14.8	< 1.4	0,61
9	2.600	-10.7	< 1.8	-
10	3.500	-7.8	< 2.4	-
<b>Nominal Impedance</b>	50 $\Omega$			
<b>Polarization</b>	Vertical			

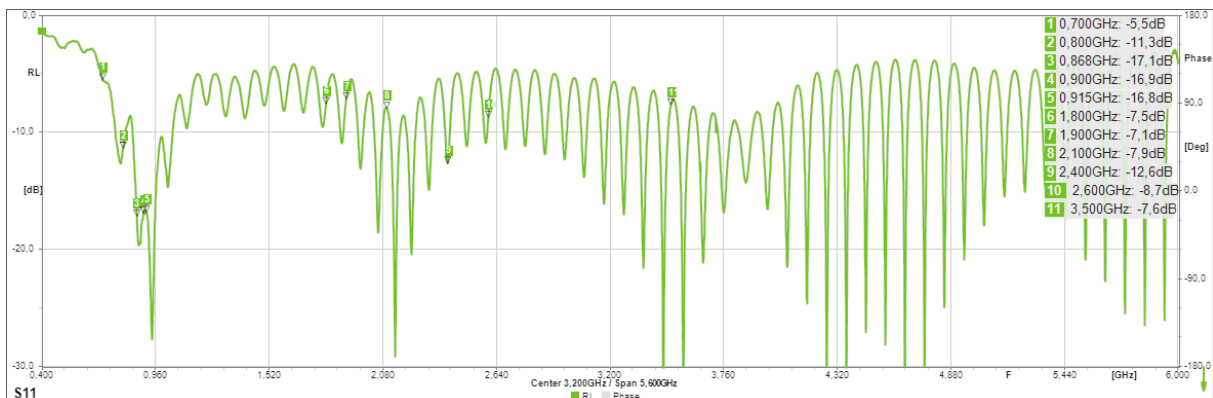
## Mechanical Properties

## Description

<b>Antenna</b>	External Cone Antenna
<b>Mounting</b>	Magnet
<b>Connector</b>	SMA (Male)
<b>Dimensions</b>	89 mm ± 5
<b>Cable length</b>	1000 mm ± 20
<b>Color</b>	Black
<b>Operating Temperature</b>	-20°C~+60°C
<b>Storage Temperature</b>	-30°C~+70°C

## Antenna Properties

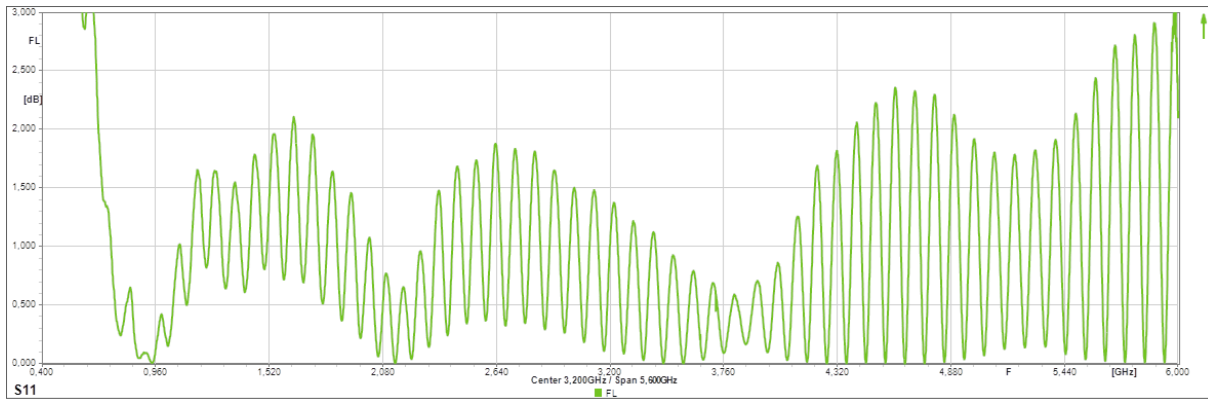
### Return Loss



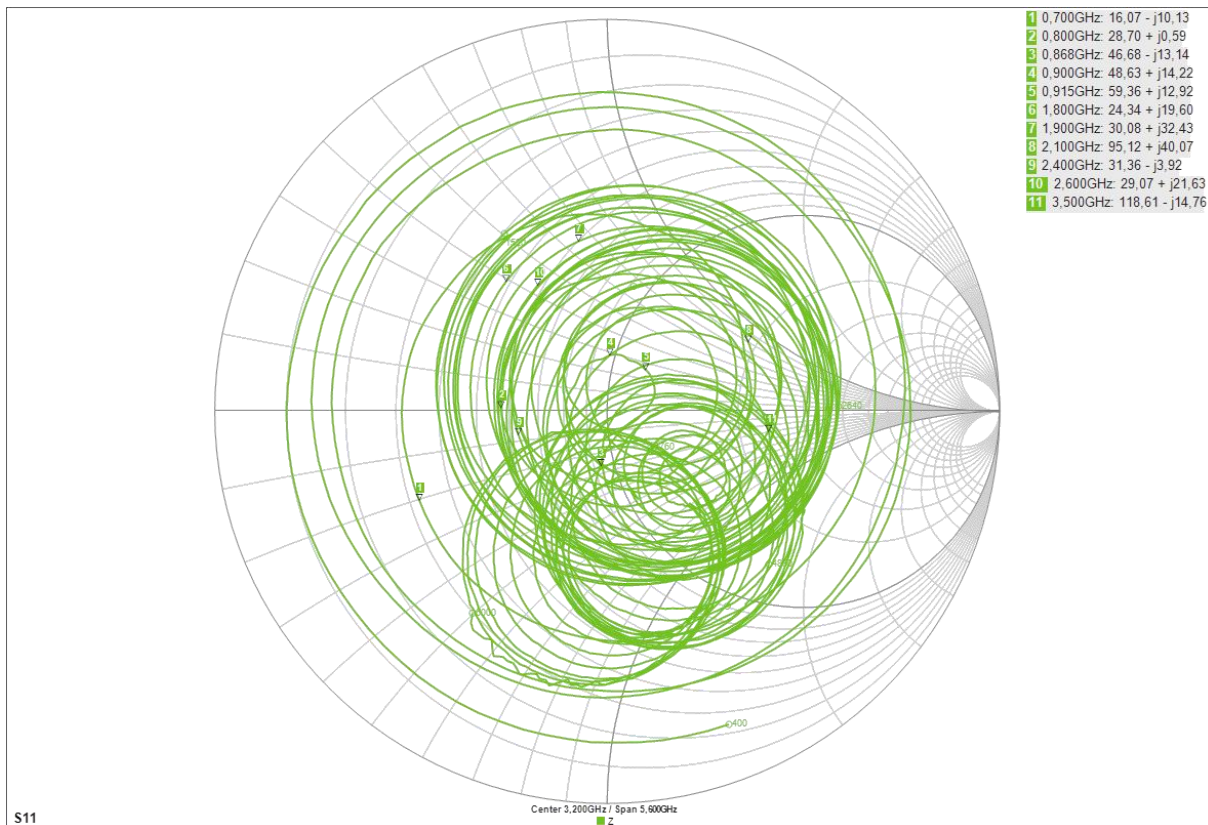
# Antenna, Cone

## ERF4074

### Forward Loss



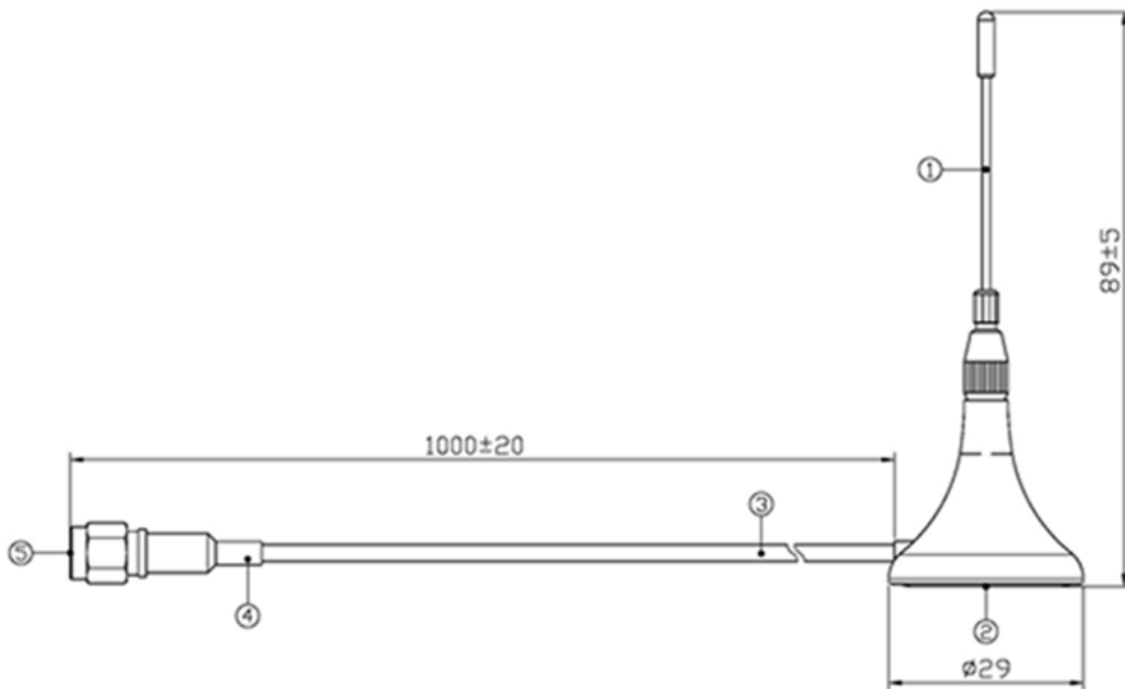
### Impedance



# Antenna, Cone

ERF4074

## Dimensions



## Connectors



The ERF4074 antenna uses the SMA Male connector.

## Ordering information

Ordering can be done via [www.summit-electronics.com](http://www.summit-electronics.com) or via [info@summit-electronics.com](mailto:info@summit-electronics.com). Please contact us for more information. Customisation of the product is available on request.

## Technical support

For all product questions please contact us via [info@summit-electronics.com](mailto:info@summit-electronics.com)

## Document revision

Rev	Date	changes
V01.00	06-04-2023	First issue of document
V02.00	06-06-2026	Addition Gain figures and update VNA Charts